

## E121

### Automatic air vent

#### APPLICATION

The E121 Air Vent is a reliable automatic venting device and is suitable for venting of air or gas from heating systems or heat process installations.

#### SPECIAL FEATURES

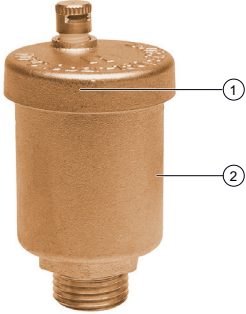
- With the Z121A shut-off valve fitted, cleaning or replacement of the seal and inner components can be carried out without draining the system.



#### TECHNICAL DATA

<b>Media</b>	
Medium:	Water or water-glycol mixture, quality according to VDI 2035 (up to 50% glycol)
<b>Operating temperatures</b>	
Max. operating temperature medium:	110 °C
<b>Pressure values</b>	
Max. operating pressure:	10 bar
<b>Connections/Sizes</b>	
Connection sizes:	G <sup>3/8</sup> " or G <sup>1/2</sup> "
<b>Application</b>	
	Hot water heating systems, radiators, wall and ceiling mounted air heaters, air collection vessels, pipe circuits, boilers and air separators.
	Not suitable for mineral oil or liquids with mineral-oil-based additives

## CONSTRUCTION

Overview	Components	Materials
	<b>1</b> Lid	Brass
	<b>2</b> Housing	Brass
	<b>Not depicted components:</b>	
	Float	High-grade, heat-resistant synthetic material
	Seals	Heat-resistant elastomer

## METHOD OF OPERATION

Inside the automatic air vent there is a floater which operates a lever according to the water level. When there is no water in the housing, then the floater opens the valve. Air can therefore be vented from the heating system during filling. When the heating system has been filled, the inflowing water closes the valve and the vent is shut off. Water usually contains oxygen which bubbles off during operation of the system and collects at the highest point. The automatic air vent must therefore be fitted at the air collection position (highest point on a boiler or pipework circuit).

## TRANSPORTATION AND STORAGE

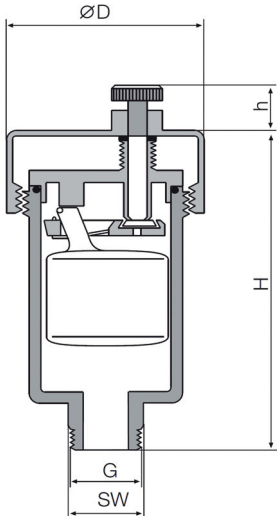
Keep parts in their original packaging and unpack them shortly before use.

The following parameters apply during transportation and storage:

Parameter	Value
Environment:	clean, dry and dust free
Min. ambient temperature:	5 °C
Max. ambient temperature:	90 °C
Min. ambient relative humidity:	25 % *
Max. ambient relative humidity:	85 % *

\*non condensing

## DIMENSIONS

Overview


Parameter	Values		
Connection size:	G	$\frac{3}{8}$ "	$\frac{1}{2}$ "
Dimensions:	mm		
	H	64	64
	h	12	12
	D	47	47
	SW	22	22
Weight:	kg	0.18	0.19

## ORDERING INFORMATION

The following tables contain all the information you need to make an order of an item of your choice. When ordering, please always state the type, the ordering or the part number.


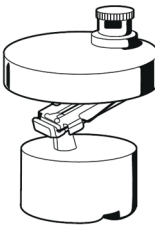
### Options

The valve is available in the following sizes: G<sup>1/2</sup>", G<sup>3/8</sup>"

- standard
- not available

		E121-3/8A	E121-1/2A
Connection sizes:	G <sup>3/8</sup> " (12 pieces)	•	–
	G <sup>1/2</sup> " (12 pieces)	–	•

### Accessories

	Description	Dimension	Part No.	
	<b>Z121 Shut-off valve</b> Packing unit 12 pcs.			
			3/8"	Z121-3/8A
			1/2"	Z121-1/2A
	<b>X121 Air vent cap with float</b> Packing unit 54 pcs, threaded connection 44x19, min. installation depth for float = 46mm			
				X121-AA

### Environmental & Energy Solutions

Honeywell GmbH  
 Hardhofweg  
 74821 MOSBACH  
 GERMANY  
 Phone: (49) 6261 810  
 Fax: (49) 6261 81309  
<http://ecc.emea.honeywell.com>

Manufactured for and on behalf of the  
 Environmental and Combustion Controls  
 Division of Honeywell Technologies Sàrl, Z.A.  
 La Pièce 16, 1180 Rolle, Switzerland  
 by its Authorised Representative Honeywell GmbH  
 ENOH-2703GE25 R0916  
 Subject to change  
 © 2016 Honeywell GmbH

**Honeywell**